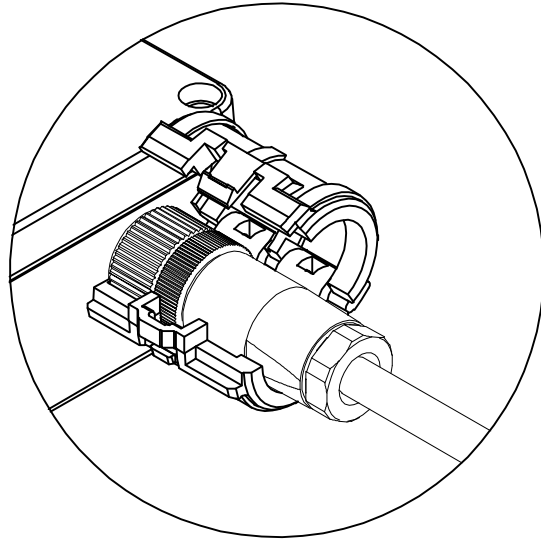


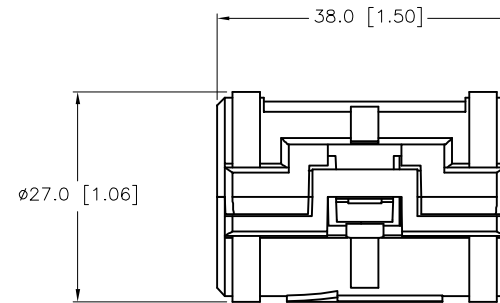
SPECIFICATIONS

HOUSING MATERIAL/COLOR

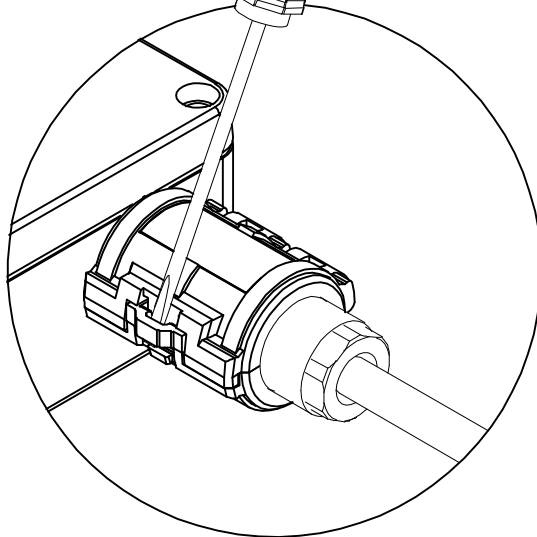
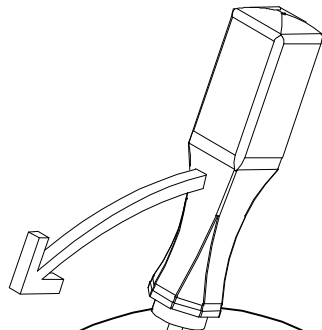
NYLON 66/BLACK



TO INSTALL LOCKOUT DEVICE, PLACE AROUND CORDSET END AND CLOSE UNTIL CONNECTOR SNAPS CLOSED. ARROW SHOULD POINT TOWARDS THE CONNECTOR.



LOCKOUT DEVICE FITS STRAIGHT TURCK EUROFAST FIELD WIREABLE CONNECTORS B(S)(V) 81x1-0 AND B(S)(V) 81x1-0/PG9".



TO REMOVE LOCKOUT DEVICE, INSERT SMALL SCREWDRIVER INTO LOCKING GROOVE AS SHOWN IN PICTURE. ROTATE SCREWDRIVER IN DIRECTION SHOWN UNTIL LOCKING DEVICE RELEASES.

SOURCE DRAWING - FOR REFERENCE ONLY

RELATED DOCUMENTS		3RD ANGLE PROJECTION		THIS DRAWING IS CONFIDENTIAL AND THE PROPERTY OF TURCK INC. USE OF THIS DOCUMENT WITHOUT WRITTEN PERMISSION IS PROHIBITED.		3000 CAMPUS DRIVE MINNEAPOLIS, MN 55441 1-800-544-7769 (763) 553-7300 (763) 553-0708 fax www.turck.us	
1.				DRFT RDS		DATE 12/29/04	
2.				APVD		SCALE 1=1.0	
3.		ALL DIMENSIONS DISPLAYED ON THIS DRAWING ARE FOR REFERENCE ONLY		UNIT OF MEASUREMENT		DESCRIPTION	
4.				MILLIMETERS		LOCK-EURO-FW	
MATERIAL		CONTACT TURCK FOR MORE INFORMATION		IDENTIFICATION NO.		REV	
FINISH				A0880		B	
DO NOT SCALE THIS DRAWING		FILE: A0880		SHEET 1 OF 1			

B	UPDATE NOTES	NF	09/07/23	79217
REV	DESCRIPTION	BY	DATE	ECO NO.